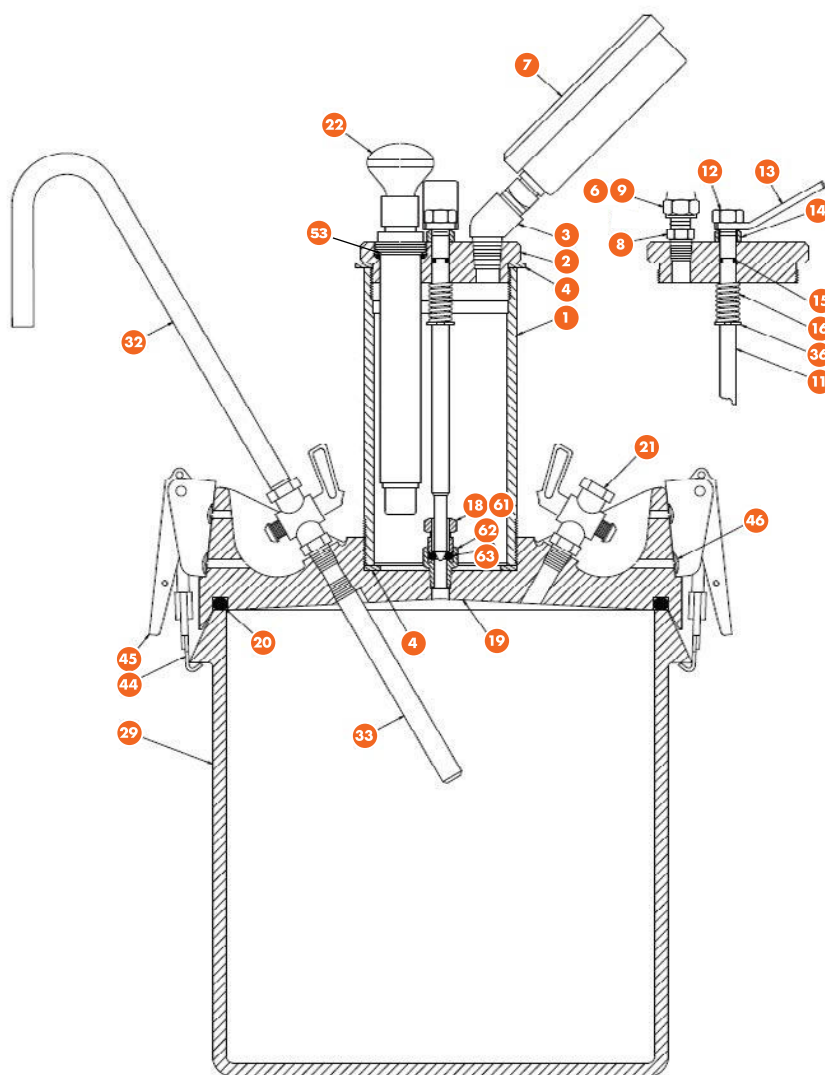


PRESS-AIRE™ METER FORNEY

MODEL LA-0316

PART	DESCRIPTION	PART #
	FORNEY Press-Aire™ Meter Kit (Air Meter Kit), Unit Only	LA-0316-6
	Carrying Case for FORNEY Press-Aire™ Meter (Air Meter)	LA-0316-39
	Super Pump	LA-0316-22
	Calibration Vessel	LA-0316-31-A
	Tamping Rod, 23-1/4 in (59.1 cm) with 5/8 in (15.9 mm) rounded tip	LA-0280
	Strike Off Bar, Aluminum	LA-0316-34
	Parts List & Instructions	LA-0316-28-01
	Roller Meter - Syringe, 3 oz	LA-0305-28
	FORNEY Press-Aire™ Meter Kit (Air Meter Kit), Top assembly only, without case or base	LA-0316-T
1	Pressure Chamber	LA-0316-01
2	Pressure Chamber Cap	LA-0316-02
3	Chamber Elbow	LA-0316-03
4	Chamber Gasket, two required (top & bottom)	LA-0316-04
6	Air Bleeder Valve Cap	LA-0316-06
7	Gauge for Press-Aire Meter	LA-0316-07-01
8	Air Bleeder Valve Stem	LA-0316-08
9	Air Bleeder Gasket	LA-0316-09
11	Needle Valve Stem	LA-0316-11
12	Needle Valve Nut	LA-0316-12
13	Needle Valve Lever	LA-0316-13
14	Needle Valve Spacer	LA-0316-14
15	Needle Valve O-Ring	LA-0316-15
16	Needle Valve Spring	LA-0316-16
18	Needle Valve Seat	LA-0316-18
19	Lid	LA-0316-19
20	O-Ring Lid Seal	TM-3030
21	Lid Petcock	LA-0316-21
22	Super Pump	LA-0316-22
29	Aluminum Unit Weight Bucket - Base - .25 cu ft (7.1 L)	LA-0316-29
32	Calibration Tube, Outside Bent	LA-0316-32-A
33	Calibration Tube, Inside Straight	LA-0316-33
36	Needle Valve Stem Snap Ring	LA-0316-36
	Gauge Glass	LA-0316-42
	Latch Stud	LA-0316-43

PART	DESCRIPTION	PART #
44	Latch Clamp Tab	LA-0316-44
45	Latch Assembly for Lid	LA-0316-45
46	Pan Hd Screw, HD #10 x 1/2 in	LA-0316-46
61	5/16 in WB Nut	LA-0316-61
62	5/16 in x 1/8 in Adapter	LA-0316-62
63	O-Ring, Needle Valve, Seat	LA-0316-63
	Super Pump Check Valve	LA-0316-82
53	Super Pump Seal	LA-0316-53



V 10/2024

FORNEY

WWW.FORNEYONLINE.COM

(800) 367-6397

2050 Jackson's Pointe Court
Zelienople, PA 16063 USA